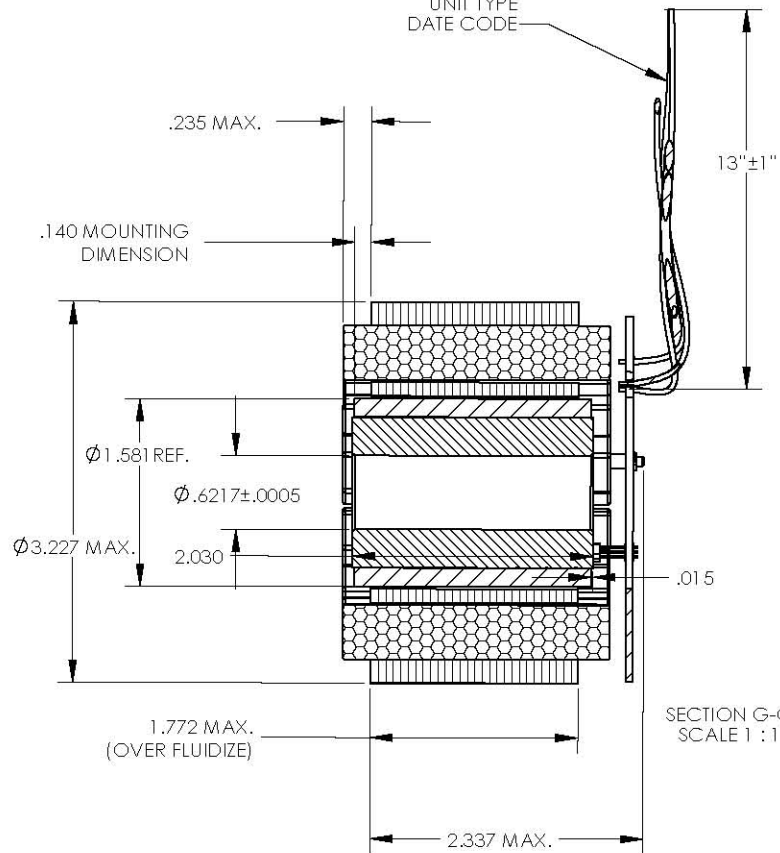


THE DRAWING CONTAINS INFORMATION PROPRIETARY TO NORTHROP GRUMMAN LITTON POLY-SCIENTIFIC. ANY REPRODUCTION OR USE OF THIS DRAWING IS EXPRESSLY PROHIBITED EXCEPT AS NORTHROP GRUMMAN, LITTON POLY-SCIENTIFIC MAY OTHERWISE AGREE IN WRITING.

REVISIONS				
ZONE	REV.	DESCRIPTION	DATE	APPROVED
	A	NEW DRAWING		

LABEL TO BE APPLIED TO LEADS AND PRINTED AS FOLLOWS:

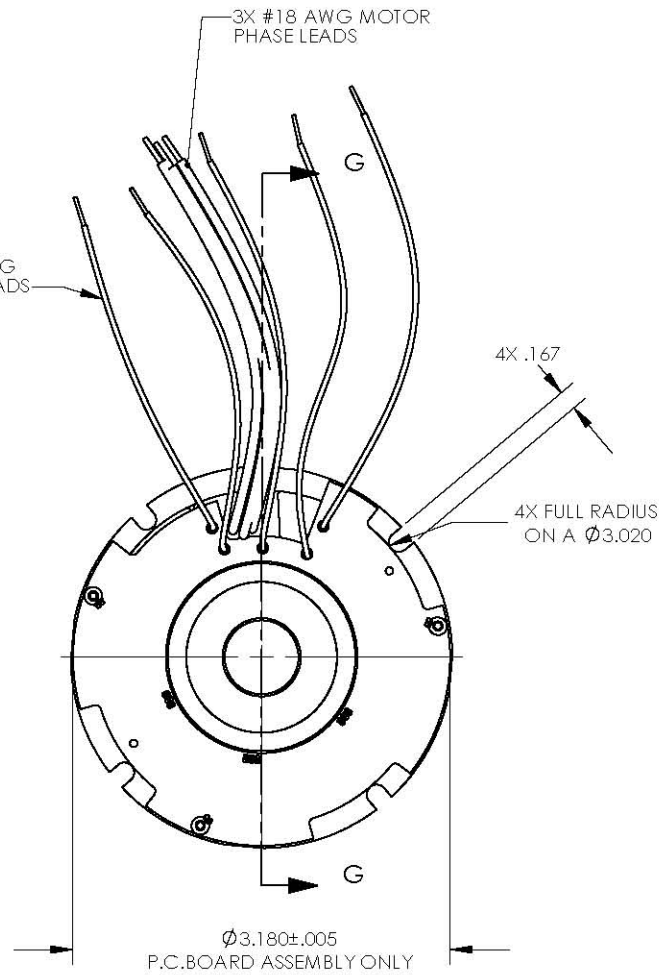
"POLY-SCIENTIFIC"
UNIT TYPE
DATE CODE



SECTION G-G
SCALE 1:1

5X #24 AWG
SIGNAL LEADS

3X #18 AWG MOTOR
PHASE LEADS



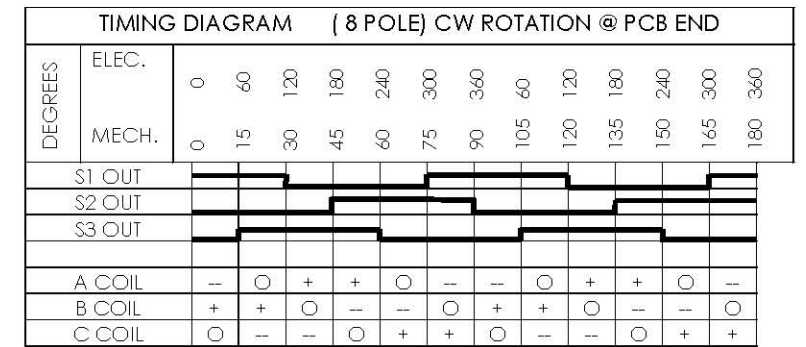
NOTES: UNLESS OTHERWISE SPECIFIED

1. INTERPRET DRAWING PER ANSI Y1 4.5.
2. OPEN COLLECTOR OUTPUTS. USE PULL-UP RESISTORS BETWEEN V_{CC} AND OUTPUTS.
3. DIRECTION OF ROTOR ROTATION: CW WHEN VIEWED FROM P.C.B. ASSEMBLY SIDE
4. MAXIMUM WINDING TEMPERATURE OF 155°C.
5. INSIDE DIAMETER OF ROTOR TO BE MOUNTED CONCENTRIC TO THE STATOR O.D. WITHIN Ø.005 AND WITHIN THE AXIAL MOUNTING DIMENSION AS SHOWN.
6. RECOMMENDED MOUNTING Ø3.229±.001.

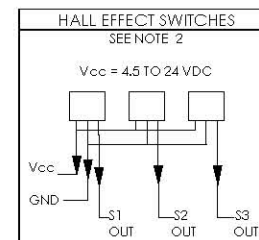
ITEM IS MANUFACTURED AND SHIPPED AS AN ASSEMBLY KIT, WHEN ORDERING A KIT OR SEPARATE ROTOR AND STATOR PARTS, ORDER PART NUMBERS AS SHOWN

KIT PART NO.	STATOR ASSY	ROTOR ASSY
BN34-35ZP-01LH	F380129-004	F320356-002
BN34-35ZP-02LH	F380129-005	F320356-002
BN34-35ZP-03LH	F380129-006	F320356-002

WIRE COLOR	CONNECTION
YELLOW	V _{CC}
GREY	GND
RED	A COIL
BLACK	B COIL
GREEN	C COIL
BLUE	S2 OUT
BROWN	S1 OUT
ORANGE	S3 OUT



PERFORMANCE	SYMBOL	UNITS	TOLERANCE	VALUE		
				-01	-02	-03
TERMINAL VOLTAGE	V	VOLTS DC	NOMINAL	24	50	100
PEAK TORQUE	T _P	OZ-IN	MAXIMUM	657	643	657
TORQUE SENSITIVITY	K _T	OZ-IN/AMP	±10%	5.06	9.92	20.26
BACK EMF CONSTANT	K _E	VOLTS/1000RPM	±10%	3.74	7.34	14.98
TERMINAL RESISTANCE	R _M	OHMS	±12%	0.05	.147	.548
TERMINAL INDUCTANCE	L _M	MILLIHENRIES	±30%	0.11	.43	1.72
MOTOR CONSTANT	K _M	OZ-IN/√W ATTS	NOMINAL	22.6	25.9	27.3



UNLESS OTHERWISE SPECIFIED DIMENSIONS ARE IN INCHES

TOLERANCES ARE:
 DECIMALS .XX ±.010
 .XXX ±.005
 .XXXX ±.0005
 ANGLES 20° 30° FRACTIONS 1/64

DO NOT SCALE DRAWING

CAD GENERATED DRAWING, DO NOT MANUALLY UPDATE

APPROVALS	DATE
DRAWN: R.MARTIN	03/25/03
CHECKED: D.L.SAMS	4/24/03
ENGR: M.L.MARKS	4/22/03
RELEASED: D.L.SAMS	4/24/03
MFG ENGR: D.GRIFFIN	4/22/03
SHOP ENGR:	
QA: B.LITTLE	4/24/03

MOOG
COMPONENTS GROUP

TITLE: BRUSHLESS D.C. MOTOR

SIZE	CAGE CODE	DWG. NO.
C	4H618	BN34-35ZP-[] [] LH

SCALE: 1.5:1
 CAP. FILE: BN34-35ZP-[] [] LH
 SHEET 1 OF 1